

KENWOOD

STEREO POWER AMPLIFIER

KAC-520

INSTRUCTION MANUAL

Take the time to read through this instruction manual. Familiarity with installation and operation procedures will help you obtain the best performance from your new power amplifier.

For your records

Record the serial number found on the bottom of the unit in the spaces designated on the warranty card and in the space provided below. Refer to the model and serial numbers whenever you call upon your KENWOOD dealer for information or service on this product.

Model KAC-520 Serial number _____

Care and Maintenance

- The power source of this unit is exclusively DC 12 V, negative ground. If you wish to mount the unit on a vehicle with DC 24 V, please consult your appointed KENWOOD dealer.
- Do not place the amplifier in a place where the amplifier may be exposed to direct sunlight, heat or moisture. Be careful that metal objects and water do not enter the set.
- If you have difficulty in installing the set in your car, please contact with your KENWOOD dealer.

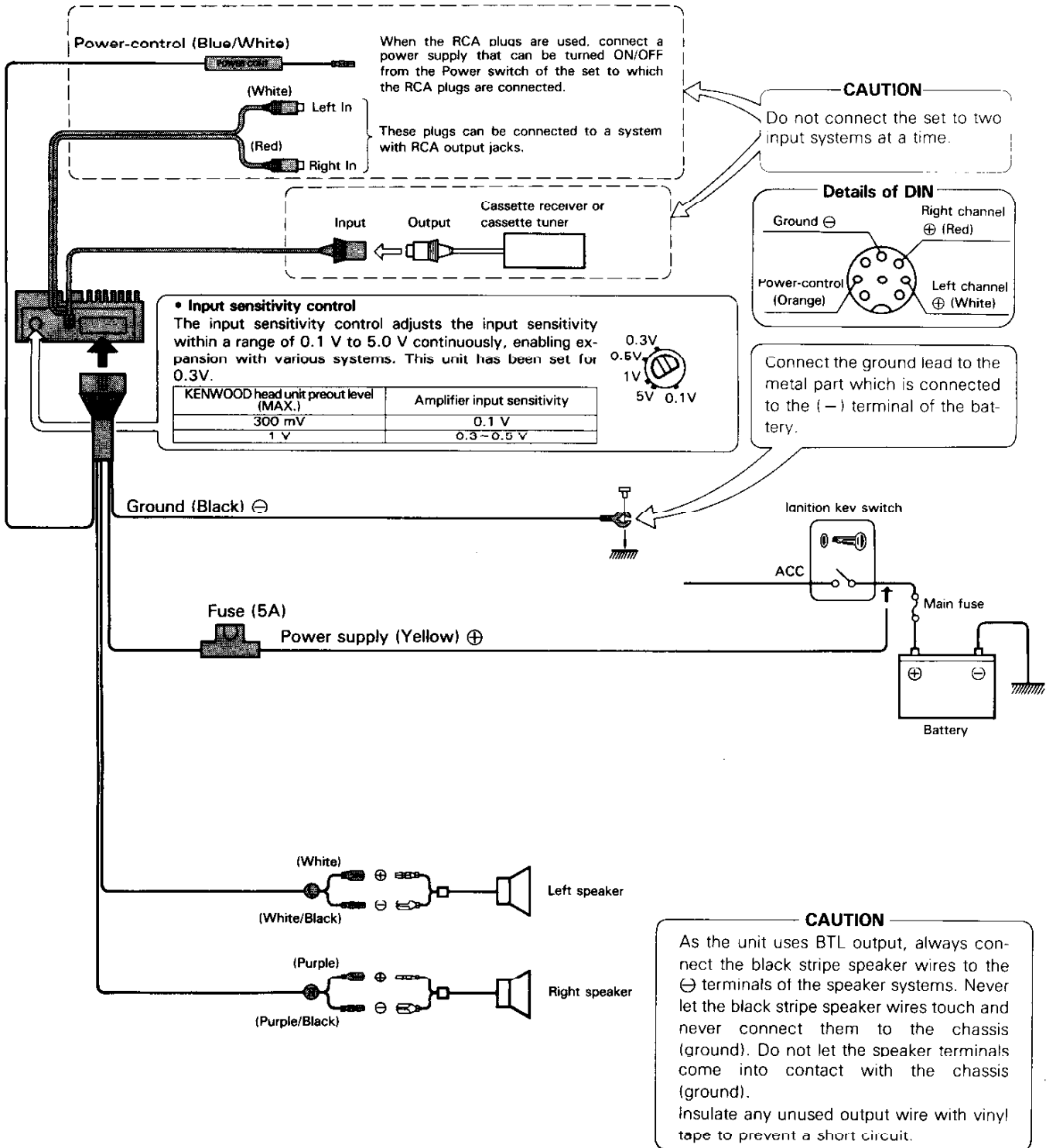
Cleaning

Clean with a dry silicone cloth or a soft cloth. The use of thinner, alcohol or other solvents may damage the surface finish.

Connection

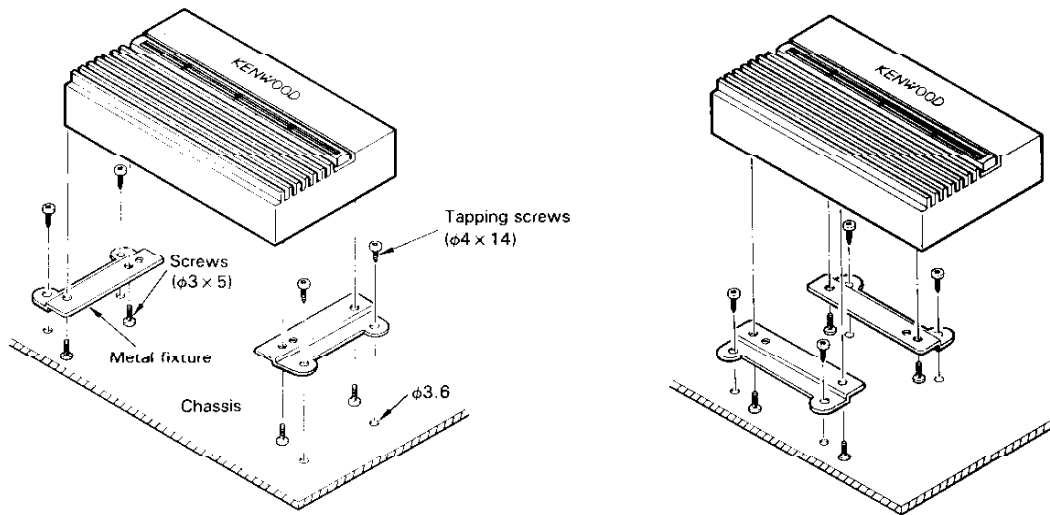
Precautions

- Before starting to install the set, make sure to remove the negative (-) terminal of the battery in order to prevent shortcircuiting.
- When installation and wiring are completed, connect the negative (-) terminal of the battery after confirming that there are no errors.
- When a fuse is blown out, check for any shortcircuiting of cords, and then replace it with a fuse having the specified capacity.

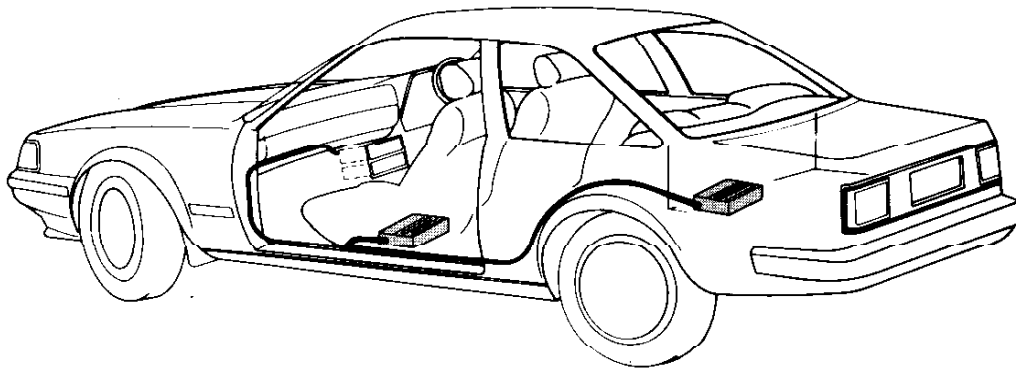


Installation

- When installing to the car, install the unit securely for safety driving.
- Use screws supplied as accessories when installing the unit.
- The metal fixtures can be used in two ways as shown in the illustrations below.



- Since the power amplifier has no parts which require operation, it can be installed at a position away from the driver's seat without any hinderances. As generally accepted positions for its installation, places such as under the front seat or inside the trunk, etc. can be considered.
- Use the extension cables. CA-18F (1 m), CA-28F (2 m), and CA-48F (4 m) (optional) when the connected models are to be installed away from the power amplifier.
- Install the unit in a well-ventilated place and do not place the (heavy) object on it.



Specifications

Specifications subject to change without notice

Main amp section

Maximum output power (1 kHz, 4 Ω)	35 W + 35 W
Rated output power (10% THD, 1 kHz, 4 Ω)	25 W + 25 W
(less than 0.5% THD, 20 Hz - 20 kHz, 4 Ω)	20 W + 20 W
Frequency response (- 3 dB)	5 Hz - 50 kHz
Input sensitivity (at rated output) Max.	0.1 V
Min.	5.0 V
Signal-to-noise ratio (IEC-A)	100 dB
Input impedance	10 k Ω
Damping factor (100 Hz)	More than 100

General

Operating voltage (GND)	14.4 V (11 - 16 V)
Current consumption	5 A
Dimensions (W x H x D)	80 x 30 x 140 mm (3-1/8 x 1-3/16 x 5-1/2 in.)
Weight	0.9 kg (2.0 lb)